



I-ROD[®]

2014
catalog

Eliminate corrosion **at pipe supports**



www.i-rod.com

I-Rod® ends corrosion at pipe supports

Corrosion at pipe supports is one of the leading causes of process piping failures, which can have potentially catastrophic results. All styles of pipe supports – including beam supports and pipe saddles – create crevices where water is trapped and held in constant contact with the pipe surface. Once corrosion starts in these pockets, it can quickly undercut the paint film and rapidly cause wall loss as it expands from the crevice. If these conditions are not addressed, entire sections of pipe can fail and require replacement. Deepwater developed the I-Rod® pipe-support system specifically to ensure longer, safer lives for pipes by eliminating crevices between pipes and supports.

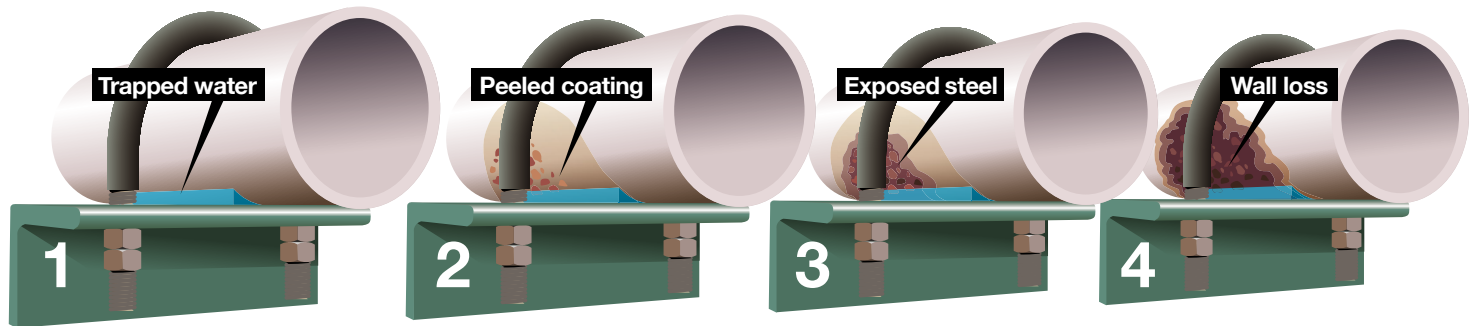


Above, the result of crevice corrosion on a pipe. Trapped moisture has caused substantial wall loss that could result in catastrophic failure.



I-Rod® eliminates the crevice by minimizing the contact area and allowing any moisture to evaporate. It's also much easier to inspect.

What causes crevice corrosion?



Water becomes trapped in the crevice between pipe and support.

Coatings are put in immersion service; they soften and fail.

Bare steel is exposed to oxygenated water, starting corrosion.

Corrosion undercuts paint; localized wall loss on pipe begins.

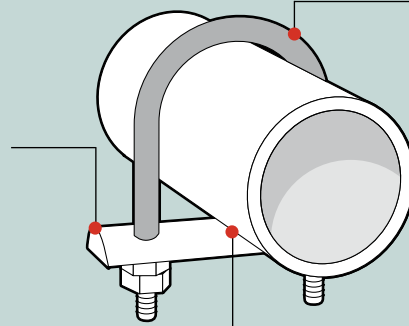
Table of contents

How to order I-Rod®	3
Galvanized Nu-Bolts™	4
Cut and drilled I-Rod®	5
SS 316 and Sermagard™ Nu-Bolts™	6
Non-gripping I-Rod® and Nu-Bolts™	7
I-Rod® by the foot; nuts, washers, tape	8
U-bolts with polyshrink	9
I-Rod® Clips for 360° clamps	10
I-Rod® Clips for 120° clamps	11
Notched I-Rod®	11
I-Rod® installation tips	12

How does I-Rod® prevent crevice corrosion?

The half-round shape supports the pipe, minimizing contact area so water can't be trapped.

With the pipe resting on I-Rod®, it's also easier to inspect beneath.



NuBolts™ are covered with polyshrink to protect the paint on the pipe during installation.

I-Rod® also electrically isolates the pipe from metal supports, preventing galvanic corrosion between dissimilar metals.

How to order I-Rod®

Using the list at right, determine the pipe size, maximum operating temperature, U-bolt finish and weight load for each I-Rod® application.

To place an order, contact us at (713) 983-7117 between 8 A.M. and 5 P.M. Central Standard Time, or e-mail us: sales@stoprust.com



Determining I-Rod® load values

The table shows conservative estimates of the total weight of a foot of pipe filled with water. Multiply this number by your support spacing to get total weight loading, then select number of I-Rods® you'll need. Use 1-inch I-Rods® if pipe diameter is 8" or less; 1 1/2 -inch I-Rod® is recommended for piping 10" or greater in diameter. Do not mix rod sizes.

Maximum loading for each I-Rod:

1 inch I-Rod:	8,000 lb
1 1/2 inch I-Rod:	10,000 lb

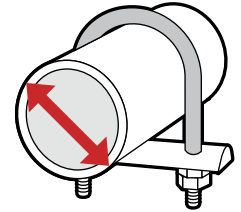
Use up to three rods to support desired weight

Weight (lb) per foot of piping full of water

Nominal pipe size	Outside diameter	Std	Sch 40	X-Strong	Sch 80	Sch 120	Sch 140	Sch 160	X-Strong
2"	2.375"	6	6	7	7			9	11
3	3.500	12	12	14	14			18	23
4	4.500	18	18	22	22	26		29	34
6	6.625	33	34	44	44	51		60	68
8	8.625	51	54	69	69	86	93	100	98
10	10.750	76	80	94	104	129	143	155	143
12	12.750	104	110	121	144	181	195	215	181
14	14	122	131	140	173	217	237	255	
16	16	151	171	171	224	280	310	332	
18	18	183	216	205	282	354	384	418	
20	20	217	261	242	346	432	447	514	
24	24	294	370	325	494	625	678	737	
26	26	337		370					
28	28	383		419					
30	30	431		470					
36	36	593	731	639					
42	42	780		834					

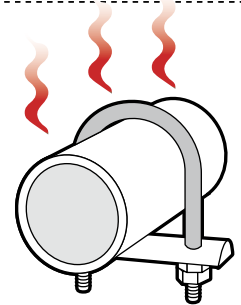
Pipe size

Measure the outer diameter of the pipe. Nu-Bolts™ are available in standard sizes that fit 1/2" to 36" diameters. Custom sizes are available. Pipes 8" and smaller use 1" I-Rod®; those 10" and larger require 1 1/2" I-Rod®.



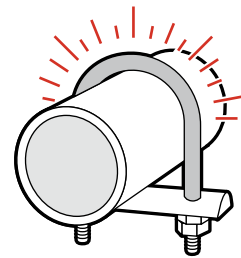
Temperature

Determine your pipe's maximum operating temperature. Use standard I-Rod® up to 181° F (83° C), I-Rod® HT up to 340° F (171° C), and for temperatures up to 480° F (249° C), specify PEEK™.



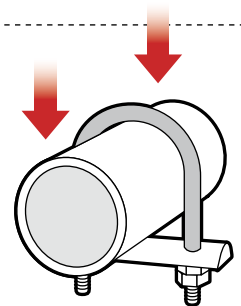
U-Bolt finish

Standard Nu-Bolts™ come with a long-lasting, hot-dip-galvanized finish. Alternate options include 316 SS or an ultra-durable Sermagard™ aluminum-ceramic coating for the harshest environments.



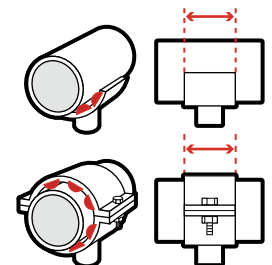
Weight load

Use the table at left to estimate the weight on the I-Rod® at each pipe support. Use up to three strips of I-Rod® at each support to meet load requirements. Pipes 8" and smaller use 1" I-Rod®; 10" and larger require 1 1/2" I-Rod®.

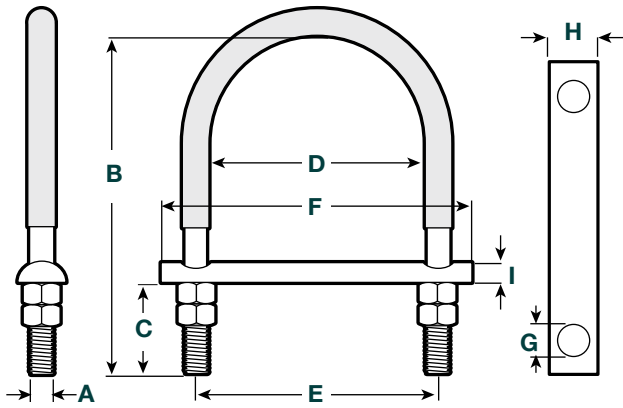


I-Rod® Clips

Measure the width of your saddle clamp, pipe hanger or support cradle; the I-Clip™ snaps over these edges.



Galvanized Nu-Bolt™



Includes:

- U-bolt with polyshrink
- Four nuts
- Cut and drilled I-Rod®

With I-Rod® (white)



Max temp: 181° F

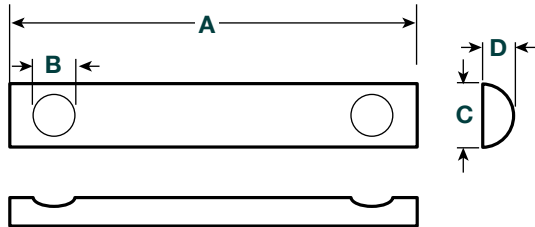
With I-Rod® HT (amber)



Max temp: 340° F

Nominal pipe size	A Bolt diameter	B U-bolt height	C Thread length	D Inside gap	E Leg center	F I-Rod length	G I-Rod hole diameter	H I-Rod size	I I-Rod height	Part number	Part number
1/2"	1/4"	3 1/4"	2 3/8"	15/16"	1 3/16"	2 1/2"	3/8"	3/4"	5/16"	NUB0045	NUB0431
1/2	3/8	3 1/4	2 3/8	15/16	1 3/16	2 1/2	1/2	1	7/16	NUB0046	NUB0193
3/4	1/4	3 5/16	2 3/8	1 1/8	1 3/8	3	3/8	3/4	5/16	NUB0071	NUB0408
3/4	3/8	3 5/16	2 3/8	1 1/8	1 1/2	3	1/2	1	7/16	NUB0074	NUB0398
1	1/4	3 7/16	2 3/8	1 3/8	1 5/8	3	3/8	3/4	5/16	NUB0047	NUB0198
1	3/8	3 7/16	2 3/8	1 3/8	1 3/4	3	1/2	1	7/16	NUB0001	NUB0194
1 1/4	3/8	3 3/4	2 1/2	1 11/16	2 1/8	3 1/2	1/2	1	7/16	NUB0013	NUB0409
1 1/2	3/8	4	2 1/2	2	2 3/8	4	1/2	1	7/16	NUB0052	NUB0196
2	3/8	4 1/2	2 1/2	2 7/16	2 13/16	4 1/2	1/2	1	7/16	NUB0009	NUB0199
2 1/2	1/2	5 1/4	3	2 15/16	3 7/16	5	5/8	1	7/16	NUB0010	NUB0432
3	1/2	5 13/16	3	3 9/16	4 1/16	6	5/8	1	7/16	NUB0057	NUB0200
4	1/2	6 13/16	3	4 9/16	5 1/16	7	5/8	1	7/16	NUB0060	NUB0195
5	1/2	7 13/16	3	5 5/8	6 1/8	8	5/8	1	7/16	NUB0063	NUB0433
6	5/8	9 1/2	3 3/4	6 3/4	7 3/8	9	11/16	1	7/16	NUB0064	NUB0067
8	5/8	11 1/2	3 3/4	8 3/4	9 3/8	11	11/16	1	7/16	NUB0077	NUB0079
10	3/4	13 13/16	4	10 7/8	11 5/8	13 1/2	7/8	1 1/2	11/16	NUB0003	NUB0224
12	7/8	16 1/16	4 1/4	12 7/8	13 3/4	16	1	1 1/2	11/16	NUB0085	NUB0225
14	7/8	17 5/16	4 1/4	14 1/8	15	17	1	1 1/2	11/16	NUB0091	NUB0434
16	7/8	19 5/16	4 1/4	16 1/8	17	19	1	1 1/2	11/16	NUB0005	NUB0435
18	1	21 11/16	4 3/4	18 1/8	19 1/8	21 1/2	1 1/8	1 1/2	11/16	NUB0098	NUB0226
20	1	23 11/16	4 3/4	20 1/8	21 1/8	23 1/2	1 1/8	1 1/2	11/16	NUB0101	NUB0436
24	1	27 11/16	4 3/4	24 1/8	25 1/8	27 1/2	1 1/8	1 1/2	11/16	NUB0011	NUB0227
28	1	31 11/16	4 3/4	28 1/8	29 1/8	31 1/2	1 1/8	1 1/2	11/16	NUB0106	Call
30	1	33 11/16	4 3/4	30 1/8	31 1/8	33 1/2	1 1/8	1 1/2	11/16	NUB0107	NUB0437
36	1	39 11/16	4 3/4	36 1/8	37 1/8	39 1/2	1 1/8	1 1/2	11/16	NUB0109	NUB0438

Cut and drilled I-Rod® without U-bolt


I-Rod® (white)

Max temp: 181° F


I-Rod® HT (amber)

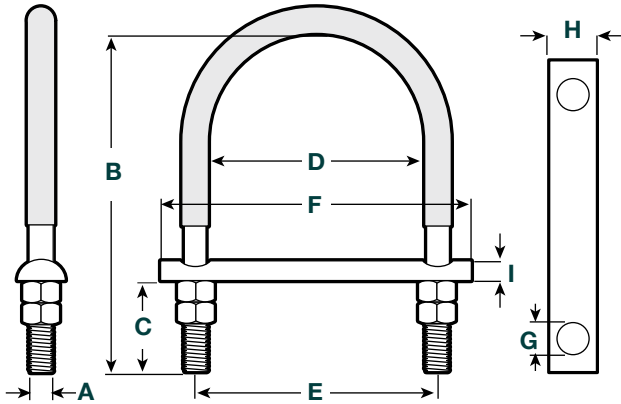
Max temp: 340° F


I-Rod® PEEK (tan)

Max temp: 480° F

Nominal pipe size	Bolt diameter	A I-Rod length	B I-Rod hole diameter	C I-Rod size	D I-Rod height	Part number	Part number	Part number
1/2"	1/4"	2 1/2"	3/8"	3/4"	5/16"	ROD0105	ROD0141	ROD0332
1/2	3/8	2 1/2	1/2	1	7/16	ROD0003	ROD0159	ROD0333
3/4	1/4	3	3/8	3/4	5/16	ROD0013	ROD0148	ROD0334
3/4	3/8	3	1/2	1	7/16	ROD0107	ROD0298	ROD0335
1	1/4	3	3/8	3/4	5/16	ROD0002	ROD0160	ROD0336
1	3/8	3	1/2	1	7/16	ROD0001	ROD0106	ROD0295
1 1/4	3/8	3 1/2	1/2	1	7/16	ROD0076	ROD0232	ROD0337
1 1/2	3/8	4	1/2	1	7/16	ROD0005	ROD0149	ROD0338
2	3/8	4 1/2	1/2	1	7/16	ROD0009	ROD0087	ROD0303
2 1/2	1/2	5	5/8	1	7/16	ROD0022	ROD0233	ROD0339
3	1/2	6	5/8	1	7/16	ROD0012	ROD0090	ROD0340
4	1/2	7	5/8	1	7/16	ROD0014	ROD0096	ROD0341
5	1/2	8	5/8	1	7/16	ROD0015	ROD0299	ROD0342
6	5/8	9	11/16	1	7/16	ROD0074	ROD0101	ROD0343
8	5/8	11	11/16	1	7/16	ROD0017	ROD0104	ROD0344
10	3/4	13 1/2	7/8	1 1/2	11/16	ROD0004	ROD0079	ROD0345
12	7/8	16	1	1 1/2	11/16	ROD0006	ROD0081	ROD0346
14	7/8	17	1	1 1/2	11/16	ROD0007	ROD0243	ROD0347
16	7/8	19	1	1 1/2	11/16	ROD0008	ROD0300	ROD0296
18	1	21 1/2	1 1/8	1 1/2	11/16	ROD0083	ROD0171	ROD0348
20	1	23 1/2	1 1/8	1 1/2	11/16	ROD0010	ROD0140	ROD0349
24	1	27 1/2	1 1/8	1 1/2	11/16	ROD0011	ROD0172	ROD0350
28	1	31 1/2	1 1/8	1 1/2	11/16	ROD0088	Call	Call
30	1	33 1/2	1 1/8	1 1/2	11/16	ROD0092	ROD0301	ROD0351
36	1	39 1/2	1 1/8	1 1/2	11/16	ROD0093	ROD0302	ROD0352

Stainless Steel and Sermagard™ Nu-Bolts™



316 Stainless Nu-Bolt™ with I-Rod® (white)

- Stainless U-bolt
- Standard I-Rod®
- 181° F max temp
- Polyshrink
- Four nuts



316 Stainless Nu-Bolt™ with I-Rod® HT (amber)

- Stainless U-bolt
- I-Rod® HT
- 340° F max temp
- Polyshrink
- Four nuts

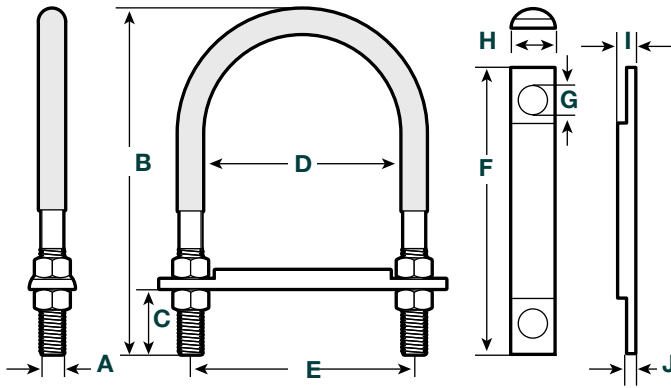


Sermagard® Nu-Bolt™ with I-Rod® (white)

- Carbon steel U-bolt with Sermagard™ coating
- Standard I-Rod®
- 181° F max temp
- Polyshrink, 4 nuts

Nominal pipe size	A Bolt Ø	B U-bolt height	C Thread length	D Inside gap	E Leg center	F I-Rod length	G I-Rod hole Ø	H I-Rod size	I I-Rod height	Part number	Part number	Part number
1/2"	1/4"	3 1/4"	2 3/8"	15/16"	1 3/16"	2 1/2"	3/8"	3/4"	5/16"	NUB0113	NUB0447	NUB0415
1/2	3/8	3 1/4	2 3/8	1 1/8	1 5/16	2 1/2	1/2	1	7/16	Call	NUB0448	Call
3/4	1/4	3 5/16	2 3/8	1 1/8	1 3/8	3	3/8	3/4	5/16	NUB0123	NUB0449	NUB0149
3/4	3/8	3 5/16	2 3/8	1 1/8	1 1/2	3	1/2	1	7/16	Call	NUB0450	Call
1	1/4	3 7/16	2 3/8	1 3/8	1 5/8	3	3/8	3/4	5/16	NUB0114	NUB0451	NUB0491
1	3/8	3 7/16	2 3/8	1 3/8	1 3/4	3	1/2	1	7/16	NUB0038	NUB0197	NUB0133
1 1/2	3/8	4	2 1/2	2	2 3/8	4	1/2	1	7/16	NUB0116	NUB0417	NUB0135
2	3/8	4 1/2	2 1/2	2 7/16	2 13/16	4 1/2	1/2	1	7/16	NUB0018	NUB0418	NUB0137
2 1/2	1/2	5 1/4	3	2 15/16	3 7/16	5	5/8	1	7/16	NUB0442	Call	NUB0440
3	1/2	5 13/16	3	3 9/16	4 1/16	6	5/8	1	7/16	NUB0119	NUB0452	NUB0012
4	1/2	6 13/16	3	4 9/16	5 1/16	7	5/8	1	7/16	NUB0120	NUB0419	NUB0144
5	1/2	7 13/16	3	5 5/8	6 1/8	8	5/8	1	7/16	NUB0277	NUB0453	NUB0441
6	5/8	9 1/2	3 3/4	6 3/4	7 3/8	9	11/16	1	7/16	NUB0121	NUB0454	NUB0147
8	5/8	11 1/2	3 3/4	8 3/4	9 3/8	11	11/16	1	7/16	NUB0125	NUB0455	NUB0150
10	3/4	13 13/16	4	10 7/8	11 5/8	13 1/2	7/8	1 1/2	11/16	NUB0127	NUB0456	NUB0152
12	7/8	16 1/16	4 1/4	12 7/8	13 3/4	16	1	1 1/2	11/16	NUB0128	NUB0457	NUB0155
14	7/8	17 5/16	4 1/4	14 1/8	15	17	1	1 1/2	11/16	NUB0390	NUB0458	NUB0157
16	7/8	19 5/16	4 1/4	16 1/8	17	19	1	1 1/2	11/16	NUB0446	NUB0459	NUB0006
18	1	21 11/16	4 3/4	18 1/8	19 1/8	21 1/2	1 1/8	1 1/2	11/16	NUB0232	NUB0460	NUB0159
20	1	23 11/16	4 3/4	20 1/8	21 1/8	23 1/2	1 1/8	1 1/2	11/16	NUB0130	NUB0462	NUB0160
24	1	27 11/16	4 3/4	24 1/8	25 1/8	27 1/2	1 1/8	1 1/2	11/16	NUB0131	Call	NUB0161
30	1	33 11/16	4 3/4	30 1/8	31 1/8	33 1/2	1 1/8	1 1/2	11/16	Call	Call	Call

Non-gripping I-Rod® with flats and Nu-Bolt™



Non-gripping I-Rod® (white)
Max temp: 181° F



Non-gripping Nu-Bolt™ (white)

- Galvanized U-bolt
- Standard I-Rod®
- 181° F max temp
- Polyshrink
- Four nuts



Nominal pipe size	A Bolt Ø	B U-bolt height	C Thread length	D Inside gap	E Leg center	F I-Rod length	G I-Rod hole Ø	H I-Rod size	I I-Rod height	J Tab thickness	Part number	Part number
1/2"	1/4"	3 1/4"	2 3/8"	15/16"	1 3/16"	2 1/2"	3/8"	3/4"	5/16"	3/16"	ROD0391	NUB0563
3/4	1/4	3 5/16	2 3/8	1 1/8	1 3/8	3	3/8	3/4	5/16	3/16	ROD0392	NUB0564
3/4	3/8	3 5/16	2 3/8	1 1/8	1 1/2	3	1/2	1	7/16	1/4	ROD0307	NUB0565
1	1/4	3 7/16	2 3/8	1 3/8	1 5/8	3	3/8	3/4	5/16	3/16	ROD0393	NUB0566
1	3/8	3 7/16	2 3/8	1 3/8	1 3/4	3	1/2	1	7/16	1/4	ROD0394	NUB0567
1 1/2	3/8	4	2 1/2	2	2 3/8	4	1/2	1	7/16	1/4	ROD0396	NUB0569
2	3/8	4 1/2	2 1/2	2 7/16	2 13/16	4 1/2	1/2	1	7/16	1/4	ROD0397	NUB0570
2 1/2	1/2	5 1/4	3	2 15/16	3 7/16	5	5/8	1	7/16	1/4	ROD0398	NUB0571
3	1/2	5 13/16	3	3 9/16	4 1/16	6	5/8	1	7/16	1/4	ROD0399	NUB0572
4	1/2	6 13/16	3	4 9/16	5 1/16	7	5/8	1	7/16	1/4	ROD0400	NUB0573
5	1/2	7 13/16	3	5 5/8	6 1/8	8	5/8	1	7/16	1/4	ROD0401	NUB0574
6	5/8	9 1/2	3 3/4	6 3/4	7 3/8	9	11/16	1	7/16	1/4	ROD0402	NUB0560
8	5/8	11 1/2	3 3/4	8 3/4	9 3/8	11	11/16	1	7/16	1/4	ROD0403	NUB0575
10	3/4	13 13/16	4	10 7/8	11 5/8	13 1/2	7/8	1 1/2	11/16	3/8	ROD0404	NUB0576
12	7/8	16 1/16	4 1/4	12 7/8	13 3/4	16	1	1 1/2	11/16	3/8	ROD0405	NUB0577
14	7/8	17 5/16	4 1/4	14 1/8	15	17	1	1 1/2	11/16	3/8	ROD0406	NUB0578
16	7/8	19 5/16	4 1/4	16 1/8	17	19	1	1 1/2	11/16	3/8	ROD0407	NUB0561
18	1	21 11/16	4 3/4	18 1/8	19 1/8	21 1/2	1 1/8	1 1/2	11/16	3/8	ROD0408	NUB0579
20	1	23 11/16	4 3/4	20 1/8	21 1/8	23 1/2	1 1/8	1 1/2	11/16	3/8	ROD0409	NUB0580
24	1	27 11/16	4 3/4	24 1/8	25 1/8	27 1/2	1 1/8	1 1/2	11/16	3/8	ROD0410	NUB0562
26	1	29 11/16	4 3/4	26 1/8	27 1/8	29 1/2	1 1/8	1 1/2	11/16	3/8	ROD0411	NUB0581
28	1	31 11/16	4 3/4	28 1/8	29 1/8	31 1/2	1 1/8	1 1/2	11/16	3/8	ROD0412	NUB0582
30	1	33 11/16	4 3/4	30 1/8	31 1/8	33 1/2	1 1/8	1 1/2	11/16	3/8	ROD0413	NUB0583
36	1	39 11/16	4 3/4	36 1/8	37 1/8	39 1/2	1 1/8	1 1/2	11/16	3/8	ROD0414	NUB0584

I-Rod[®] by the foot



I-Rod[®] (white)

Max temp 181° F



I-Rod[®] HT (amber)

Max temp 340° F



PEEK (tan)

Up to 480° F

Rod width	Height in inches	Part number	Part number	Part number
3/4"	5/16"	IRD0013	IRD0053	IRD0267
1	7/16	IRD0008	IRD0009	IRD0268
1 1/2	11/16	IRD0011	IRD0010	IRD0273

Heavy hex nuts



Bolt diameter	Galvanized Part number	316 SS Part number	Sermagard [™] Part number
1/4"	FAS0044	FAS0051	FAS0056
3/8	FAS0045	FAS0052	FAS0058
1/2	FAS0046	FAS0053	FAS0055
5/8	FAS0047	FAS0353	FAS0060
3/4	FAS0048	FAS0231	FAS0057
7/8	FAS0049	FAS0232	FAS0061
1	FAS0050	FAS0225	FAS0059

I-Rod[®] is shipped in five and ten-foot lengths when sold by the foot.

Washers



Bolt diameter	Galvanized Part number	316 SS Part number	Sermagard [™] Part number
1/4"	FAS0155	FAS0142	FAS0130
3/8	FAS0159	FAS0145	FAS0233
1/2	FAS0154	FAS0409	FAS0129
5/8	FAS0162	FAS0410	FAS0133
3/4	FAS0157	FAS0411	FAS0132
7/8	FAS0164	FAS0412	FAS0134
1	FAS0153	Call	FAS0128

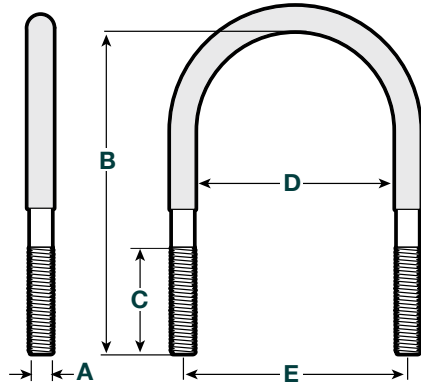
Double-sided tape

For keeping I-Rod[®] in place during installation



Strip size	Length per roll	Part no. (one roll)
1"	100'	MFR0008
1.5"	100'	MFR0009

U-bolts with polyshrink



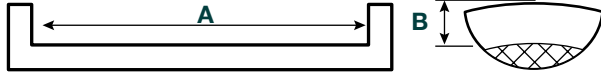
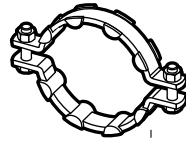
Note: Please see page eight to order nuts.



Nominal pipe size	A Bolt diameter	B U-bolt height	C Thread length	D Inside gap	E Leg center	Part number	Part number	Part number
1/2"	1/4"	3 1/4"	2 3/8"	15/16"	1 3/16"	UBT0040	UBT0438	UBT0321
1/2	3/8	3 1/4	2 3/8	15/16	1 5/16	UBT0168	Call	UBT0140
3/4	1/4	3 5/16	2 3/8	1 1/8	1 3/8	UBT0023	UBT0422	UBT0149
3/4	3/8	3 5/16	2 3/8	1 1/8	1 1/2	UBT0198	Call	UBT0256
1	1/4	3 7/16	2 3/8	1 3/8	1 5/8	UBT0033	UBT0423	UBT0035
1	3/8	3 7/16	2 3/8	1 3/8	1 3/4	UBT0036	UBT0249	UBT0039
1 1/4	3/8	3 3/4	2 1/2	1 11/16	2 1/8	UBT0004	Call	UBT0461
1 1/2	3/8	4	2 1/2	2	2 3/8	UBT0002	UBT0250	UBT0003
2	3/8	4 1/2	2 1/2	2 7/16	2 13/16	UBT0015	UBT0012	UBT0013
2 1/2	1/2	5 1/4	3	2 15/16	3 7/16	UBT0019	Call	UBT0482
3	1/2	5 13/16	3	3 9/16	4 1/16	UBT0020	UBT0424	UBT0021
4	1/2	6 13/16	3	4 9/16	5 1/16	UBT0026	UBT0381	UBT0025
5	1/2	7 13/16	3	5 5/8	6 1/8	UBT0027	Call	UBT0261
6	5/8	9 1/2	3 3/4	6 3/4	7 3/8	UBT0029	UBT0425	UBT0030
8	5/8	11 1/2	3 3/4	8 3/4	9 3/8	UBT0032	UBT0447	UBT0263
10	3/4	13 13/16	4	10 7/8	11 5/8	UBT0205	UBT0426	UBT0001
12	7/8	16 1/16	4 1/4	12 7/8	13 3/4	UBT0208	UBT0448	UBT0006
14	7/8	17 5/16	4 1/4	14 1/8	15	UBT0007	UBT0449	UBT0486
16	7/8	19 5/16	4 1/4	16 1/8	17	UBT0216	UBT0451	UBT0008
18	1	21 11/16	4 3/4	18 1/8	19 1/8	UBT0221	UBT0360	UBT0011
20	1	23 11/16	4 3/4	20 1/8	21 1/8	UBT0017	UBT0435	UBT0018
24	1	27 11/16	4 3/4	24 1/8	25 1/8	UBT0228	Call	UBT0267
28	1	31 11/16	4 3/4	28 1/8	29 1/8	UBT0458	Call	Call
30	1	33 11/16	4 3/4	30 1/8	31 1/8	UBT0233	Call	Call
36	1	39 11/16	4 3/4	36 1/8	37 1/8	UBT0236	Call	Call

I-Rod® Clips for 360° clamps

(Contact us for pricing on custom I-Rod® Clips)



I-Rod® (white)

Max temp: 181° F

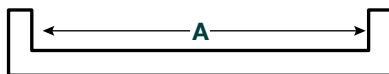
I-Rod® HT (amber)

Max temp: 340° F

Nominal pipe size	A Inside gap (in.)	B Internal radius	Clips per cradle	Part number	Part number
3"	1"	2"	4"	IRD0190	IRD0280
4	1 1/4	2 1/2	4	IRD0191	IRD0281
6	1 1/2	3 9/16	6	IRD0192	IRD0169
8	1 1/2	4 9/16	8	IRD0193	IRD0282
10	2	5 5/8	8	IRD0194	IRD0283
12	2	None	8	IRD0195	IRD0284
14	2 1/2	None	8	IRD0196	IRD0285
16-20	2 1/2	None	10	IRD0196	IRD0285
24	3	None	12	IRD0200	IRD0170
26-28	3	None	14	IRD0200	IRD0170
30-36	4	None	16	IRD0202	IRD0286

Metric Clips for 360° clamps

(Fits Carpenter & Patterson 360° clamps)



I-Rod® (white)

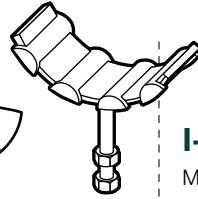
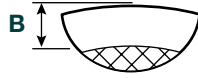
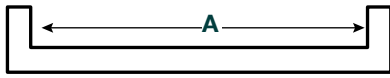
Max temp: 181° F

I-Rod® HT (amber)

Max temp: 340° F

Nominal pipe size	A Inside gap	Clips per clamp	Part number	Part number
80 mm	40 mm	4	IRD0259	IRD0298
100	50	4	IRD0260	IRD0299
150	65	6	IRD0261	IRD0300
200	65	8	IRD0262	IRD0271
250	65	8	IRD0263	IRD0301
300	80	8	IRD0264	IRD0302
350	90	8	IRD0265	IRD0303
400-500	90	10	IRD0265	IRD0303
550, 600	90	12	IRD0265	IRD0303
650, 700	110	14	IRD0266	IRD0306
750, 800	110	16	IRD0266	IRD0306

I-Rod® Clips for 120° cradles



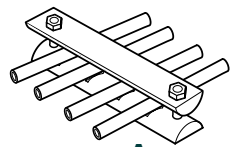
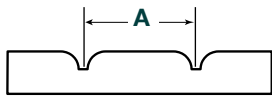
I-Rod® Clips
Max temp: 181° F



I-Rod® HT Clips
Max temp: 340° F

Nominal pipe size	A Inside gap (in.)	B Internal radius	Clips per cradle	I-Rod® Clips Part number	I-Rod® HT Clips Part number
3"	4"	2"	2	IRD0204	IRD0274
4	4	2 ½"	2	IRD0205	IRD0275
6	4	3 9/16"	4	IRD0206	
6	6	3 9/16"	N/A	IRD0314	
6	4	3 4/7"	4		IRD0276
8	4	4 9/16"	4	IRD0207	
8	6	4 9/16"	N/A	IRD0315	
8	4	4 4/7"	4		IRD0277
10	4	5 5/8"	4	IRD0208	IRD0278
10	6	5 5/8"	N/A	IRD0313	IRD0278
12-14	4	None	4	IRD0209	IRD0224
16-18	4	None	6	IRD0211	IRD0224
20-24	6	None	6	IRD0213	IRD0279
26-36	6	None	8	IRD0213	IRD0279
12-30	8	None	N/A	IRD0312	

Notched I-Rod® by the foot



I-Rod® (white)
Max temp: 83° C

Rod width	A Notch space	Part number
3/4"	1/2"	NRD0012
3/4	5/8"	NRD0013
3/4	3/4"	NRD0014
3/4	7/8"	NRD0015

I-Rod® installation tips

Deepwater does not provide installation of I-Rod assemblies. We also do not suggest that there's a certain correct I-Rod® installation process, as local codes, specifications and

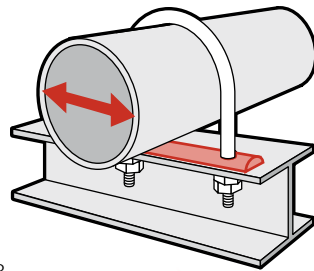
procedures mandated for each individual operator and location should always be followed. If piping has evidence of corrosion, a non-destructive evaluation of the pipe's integrity should

be provided by a qualified piping engineer before attempting to lift it from the support. Here are a few tips for ordering and installing I-Rod® to help maximize its utility and durability:

1

Use the correct size I-Rod® for the pipe you're supporting

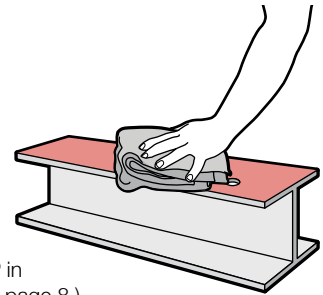
I-Rod® comes in three widths: 075", 1" and 1 1/2". Refer to load value specifications in the table on page 3.



5

Clean the surface if you're using double-sided tape

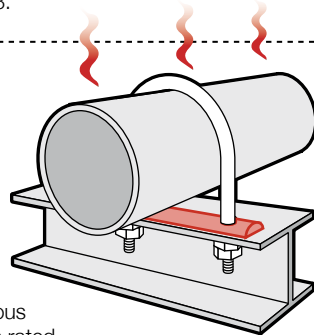
Clean the pipe support surface before applying tape to hold I-Rod® in place during installation. (Tape is on page 8.)



2

Use the correct I-Rod® material for your operating temperature

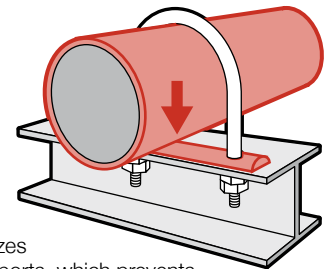
I-Rod® thermoplastic is rated for continuous temperatures up to 181° F, I-Rod® HT® is rated up to 340° F and PEEK is rated up to 480° F.



6

The rounded I-Rod® surface must be in contact with the pipe

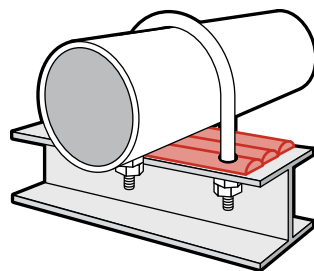
The rounded edge of I-Rod® minimizes the contact area with the pipe it supports, which prevents corrosion; pipe contact with the flat side cancels the main benefit of I-Rod®.



3

Use the correct number of I-Rod® strips

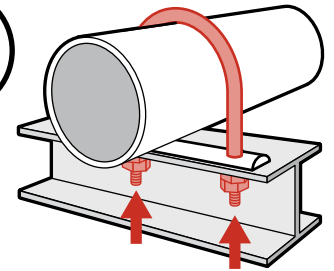
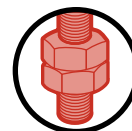
Up to three strips can be used to achieve proper weight loading. Refer to load value specifications in the table on page 3.



7

Lock the Nu-Bolts™

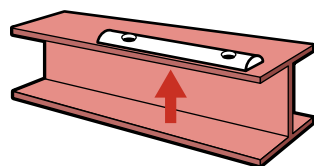
Secure Nu-Bolts™ using the two sets of nuts provided. After tightening the first nut, thread a second one onto the same shaft and tighten it down to lock the nuts.



4

There should be metal beneath the I-Rod®

I-Rod® should be installed with rigid metal backing instead of directly on concrete, where irregular surfaces can cause uneven weight loads.



8

Add nut on top for non-gripping applications

Slide Nu-Bolt™ over pipe and thread a nut onto each shaft before placing through holes in I-Rod® and pipe support. Adjust nut heights for desired clearance. Place nuts on bottom and tighten Nu-Bolt™.

